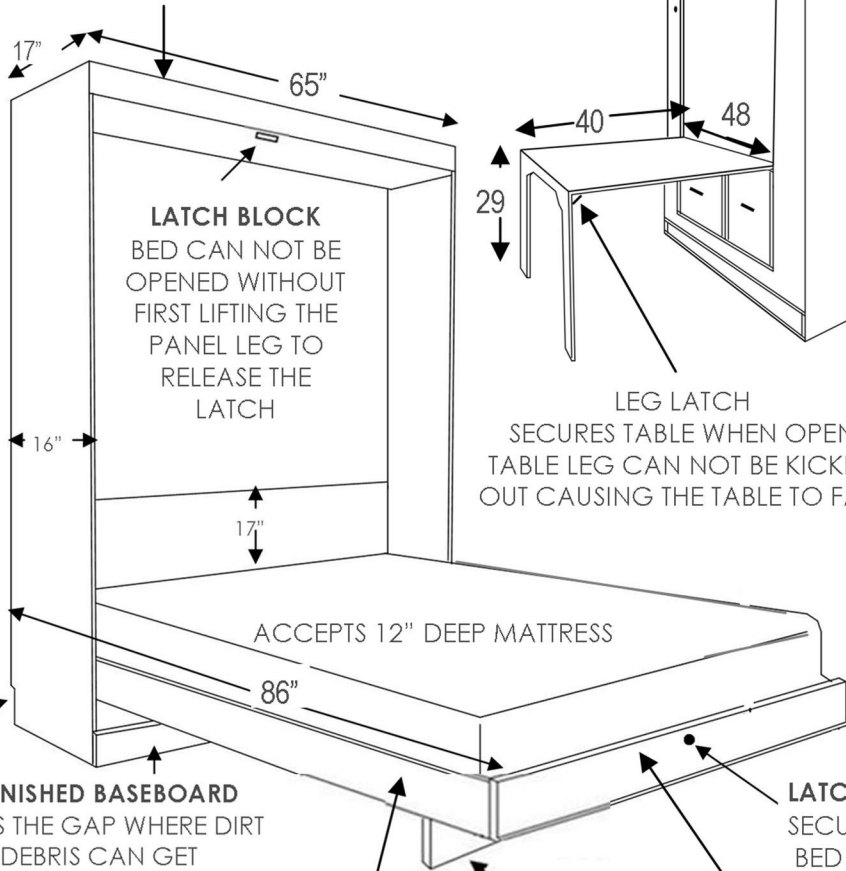


**COMPLETE 8 PIECE STRUCTURAL BOX FRAME
CONSTRUCTION BED TOP**

REINFORCED WITH 3 STEEL BRACKETS FOR ADDED STRENGTH AS THIS IS WHERE YOUR BED ATTACHES THROUGH WOOD INTO 3 WALL STUDS.



LATCH BLOCK
BED CAN NOT BE OPENED WITHOUT FIRST LIFTING THE PANEL LEG TO RELEASE THE LATCH

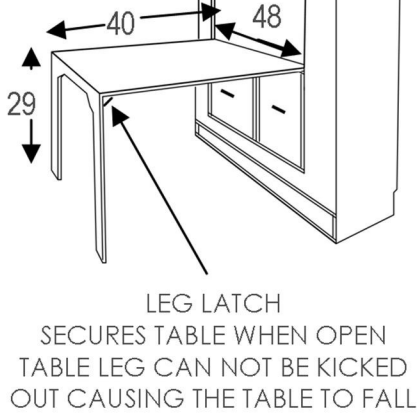
FRONT FINISHED BASEBOARD
ELIMINATES THE GAP WHERE DIRT AND DEBRIS CAN GET UNDERNEATH

BEAM SUPPORT SYSTEM
Mattress is not sitting on a flat board
UNDER YOUR MATTRESS ARE INTERNAL I BEAMS FOR ADDED STRENGTH TO WITHSTAND A HEAVY LOAD AND TO ALLOW FOR AIR TO FLOW AROUND YOUR MATTRESS TO PREVENT MOLD AND MILDEW FROM OCCURRING

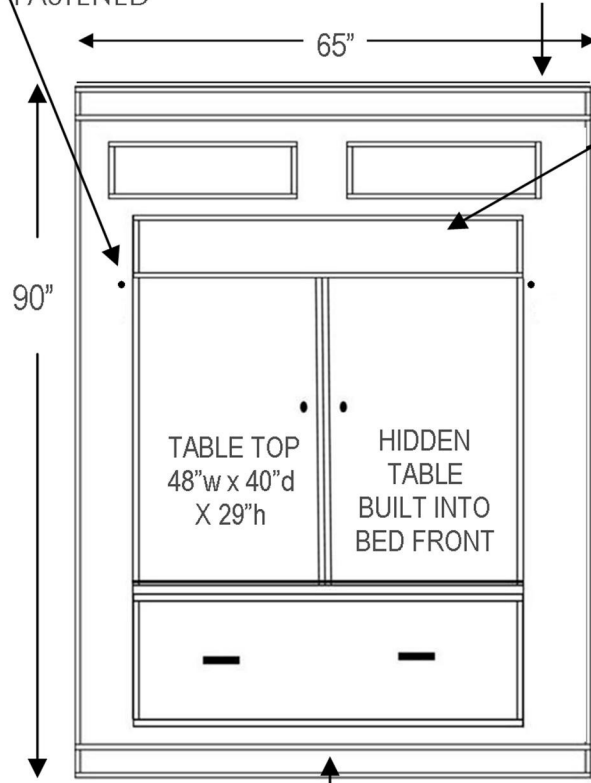
WIDE PANEL SUPPORT LEG
IS UNDER BED
ALLOWS YOU TO WALK EASILY AROUND BED

WOOD SURROUND
KEEP BEDDING ON THE BED WHEN YOU CLOSE IT UP
Remove pillows

TABLE LOCKS
ENSURES YOUR CLOSED TABLE IS SECURELY FASTENED



SAFETY CABLE
ENSURES YOUR BED IS SECURELY FASTENED INTO THE WALL



BED CAN NOT BE OPENED BY PULLING ON THE HANDLES
TO OPEN
LIFT THE HINGED PANEL SUPPORT LEG TO RELEASE THE MATTRESS PLATFORM FROM THE CABINET TOP
GRAB HOLD AND PULL WHEN PARTIALLY OPEN GRAVITY TAKES OVER AND THE BED SLOWLY FLOATS TO THE FLOOR

COMPLETE BASE STRUCTURE
YOUR BED INSTALLS SQUARE ONTO THIS BASE
YOUR BED WILL NOT WALK FROM OPENING AND CLOSING IT AFTER YEARS OF USE
FRONT FINISHED BASEBOARD
ELIMINATES THE GAP WHERE DIRT AND DEBRIS CAN GET UNDERNEATH